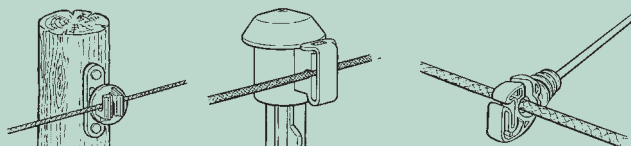


INSTALLATION HINTS— EquiRope

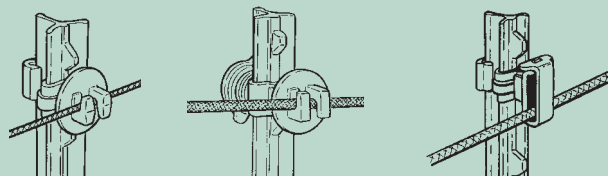
Insulators



SNUG HTW

2929

2947-10

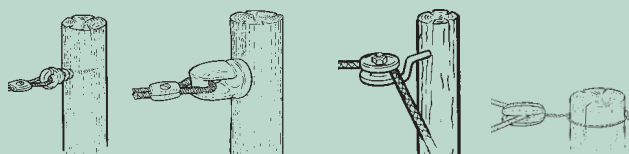


SNUG STPW

2193

2334-25W

Corner Insulators & Rope Clamps



Ring Insulator
& 3098

For low tension
corners

2799

Suitable
for high
tension
corners

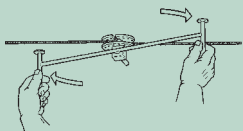
3283

Designed for
Equi-Rope
451
Also Suitable for
high tensile

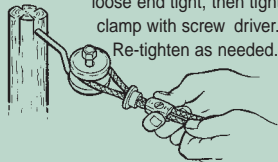
2949-10

Suitable
for high
tension
corners

Tightening

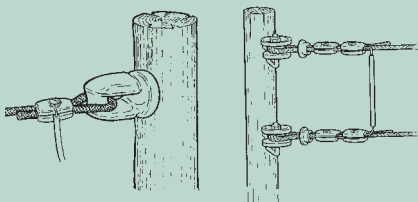


EquiRope can be tightened by hand or with inline tensioners. Remember, an electrified fence does not have to be super tight.



Place 3098 Rope Clamp on both strands as shown. Pull loose end tight, then tighten clamp with screw driver. Re-tighten as needed.

Electrifying



Electrify multiple strands.

It is recommended to use one clamp for holding the tension and one clamp for the electrical hookup as shown. One clamp per strand will work, however, using two ensures solid/strong connections.



DARE PRODUCTS, INC.
860 Betterly Rd./ Battle Creek, MI 49015
1(800) 922-3273
www.dareproducts.com
AD-3499/R

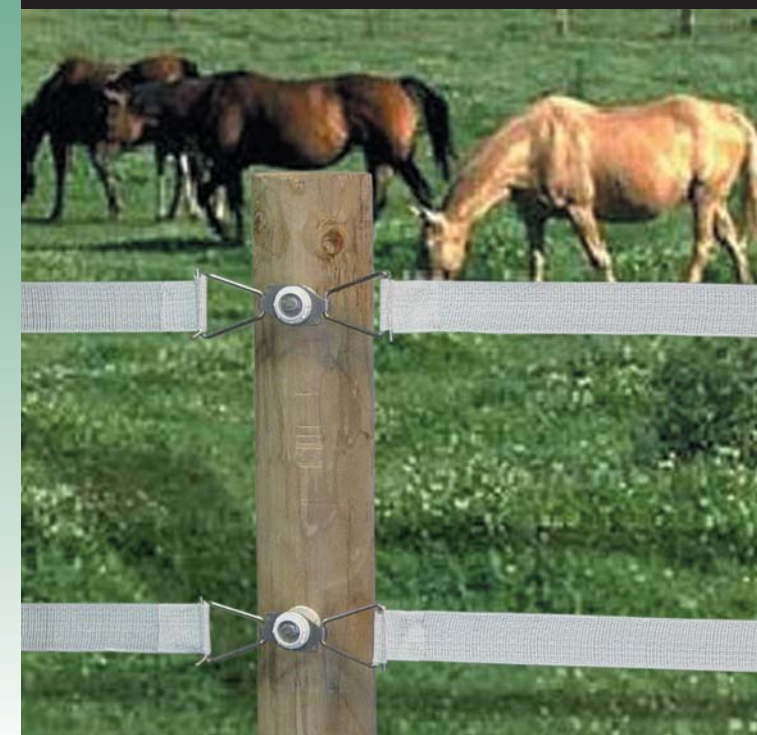
DARE



EquineSeries

FENCING PROGRAM

- Easy Installation
- Affordable
- Highly Visible
- Low Maintenance

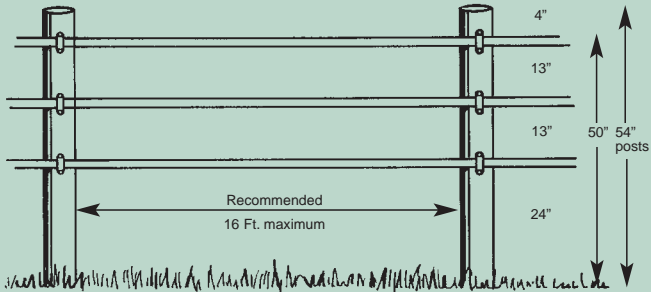


FENCE DESIGN

The right design for your fence depends on the type of horses or livestock, fencing materials you choose and the size of the area to be fenced. Combinations of 1 1/2" tape and EquiRope are acceptable but the top strand of choice is the 1 1/2" tape for maximum visibility.

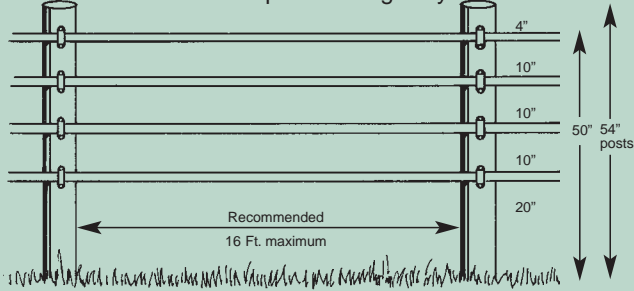
PASTURE

More than 1 acre per horse



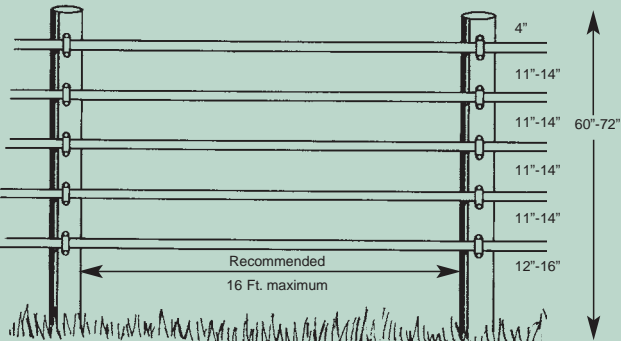
HORSE AND FOALS

Less than 1 acre per horse
Fence parallels highway



STALLIONS

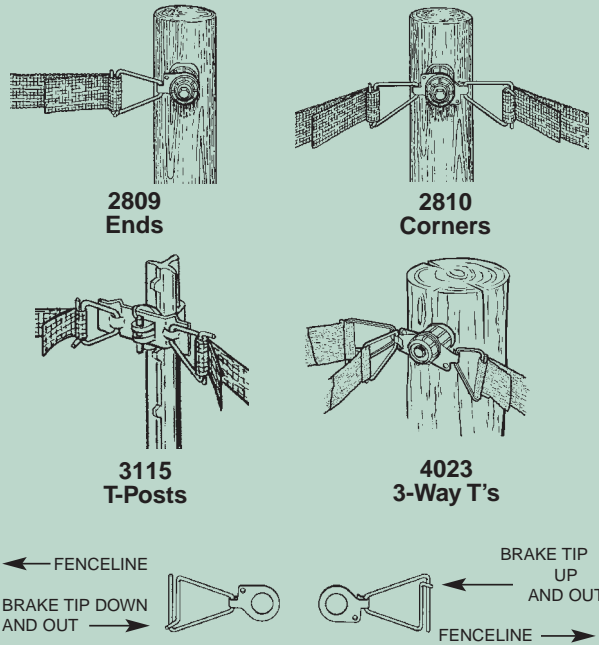
And/or boarding facilities



INSTALLATION HINTS— 1 1/2" Polytape

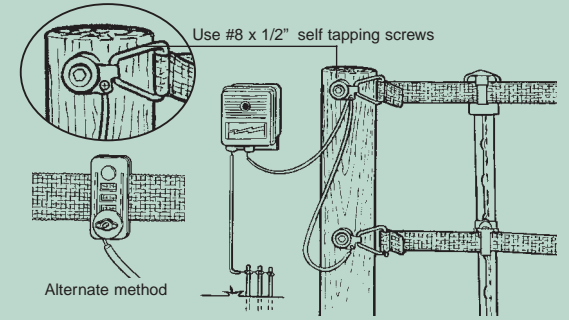
High visibility Equine fencing is easy to install once you become familiar with the system. Start by making a rough sketch of the area to be fenced, including dimensions. Prepare a material list based on your design of choice and follow the simple hints.

Tensioning

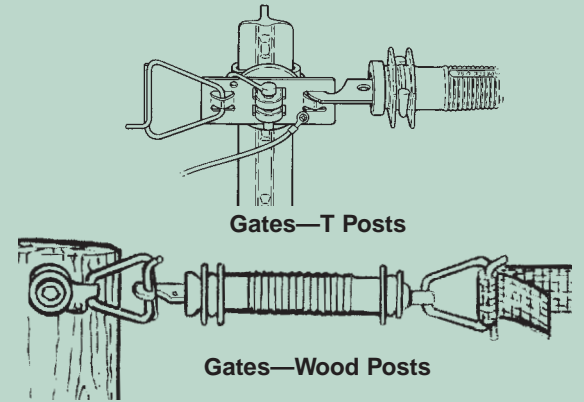


THREADING TAPE

1. Fold 6 inch loop in tape with feneline to the back and tape end to the front. Slip the loop thru the back of the tensioner. Slip the loop over the end of tension bar.
2. With the tape secure in tensioners, at both ends of the feneline, tighten by pulling the feneline with one hand taking up the slack thru the tensioner with the other.
3. Secure the loose tape end to keep from flapping in the wind and for aesthetics. (Use the Dare plastic clip, a large paper clip or even tape.)



Supplying power from your fence energizer or jumping wires on multi strand fences



Metal gates are best suited in high traffic areas, permanent fences, or near corners. Electric gates are acceptable in cross paddock situations.

Insulators

